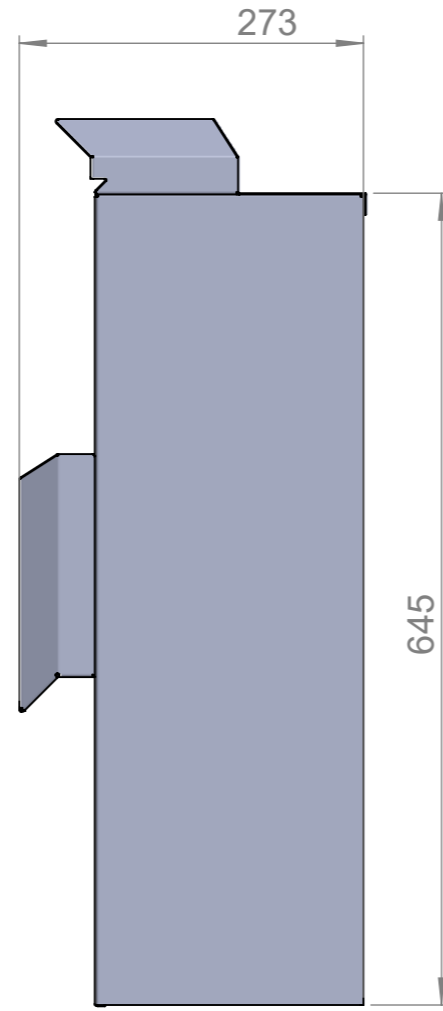
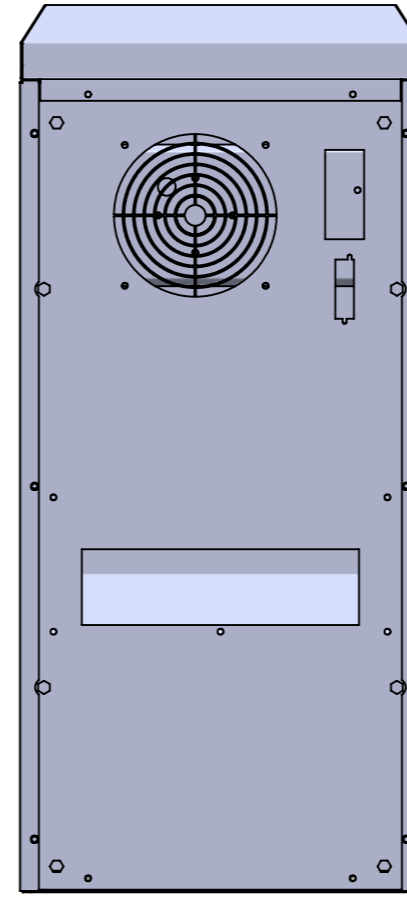


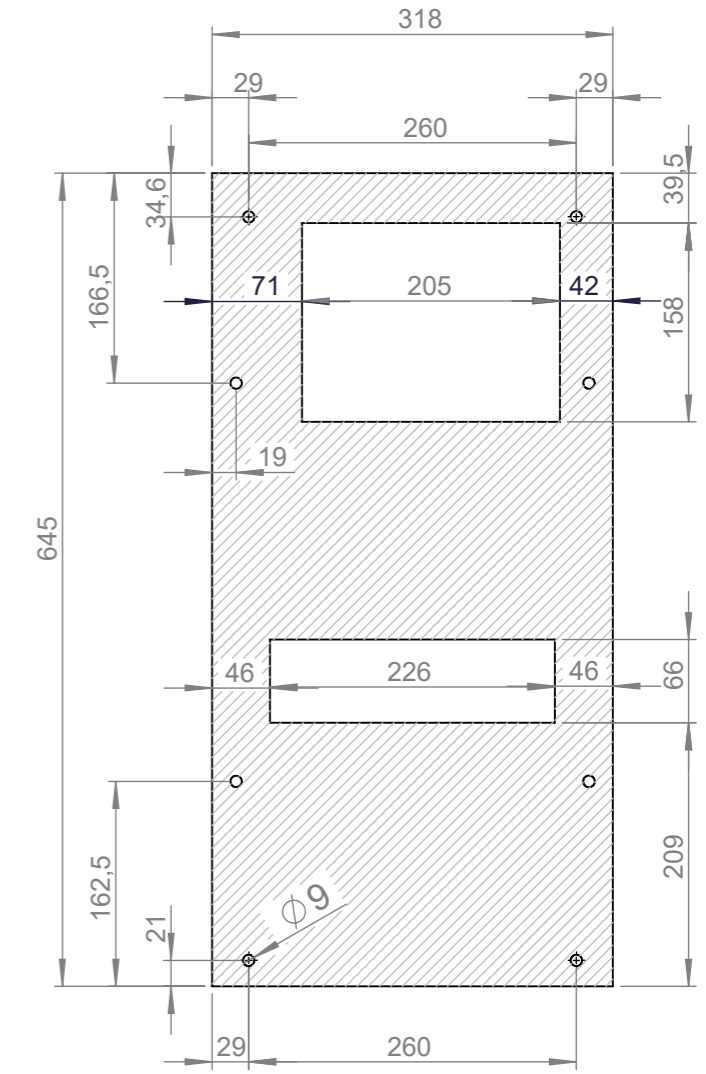
ÖN GÖRÜNÜŞ  
FRONT VIEW



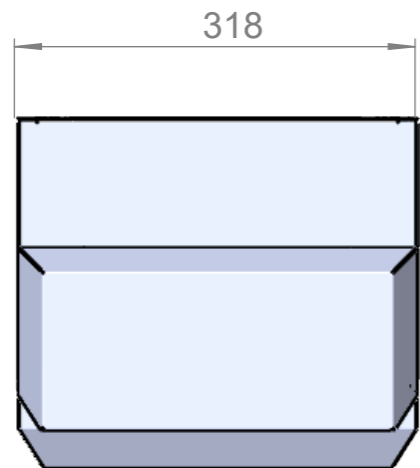
YAN GÖRÜNÜŞ  
SIDE VIEW



ARKA GÖRÜNÜŞ  
BACK VIEW



KESİM ŞABLONU  
CUTTING TEMPLATE



ÜST GÖRÜNÜŞ  
TOP VIEW

REVİZYONLAR				
BÖLGE	REV.	TANIM	TARİH	ONAY
A8	-		-	

GENERAL TOLERANCE		THIS PRINT IS OWNED BY KLIMEXS. IT'S CONTENTS MUST NOT BE COPIED OR DISCLOSED TO OUTSIDERS. DIMENSIONS ARE INDICATED AS MILLIMETRES		SCALE
0 - 30	± 0,1	DRAWN BY		1:6
30 - 120	± 0,15	REVISION NUMBER		
120 - 315	± 0,2	DATE		
315 - 1000	± 0,3	SELİN SEVİM	0	027.11.2024
1000 - 2000	± 0,4	MATERIAL		
2000 - 4000	± 0,5	MATERIAL THICKNESS		
4000 - 8000	± 0,6	PART/ASSEMBLY NAME		
8000 - 12000	± 0,8	BT-00750-OD-TT-G-EMRWALKHP-R134A-25-R0000		
		DRAWING DESCRIPTION		
		BT750-TT		

**klimexs**  
Industrial Cooling Systems