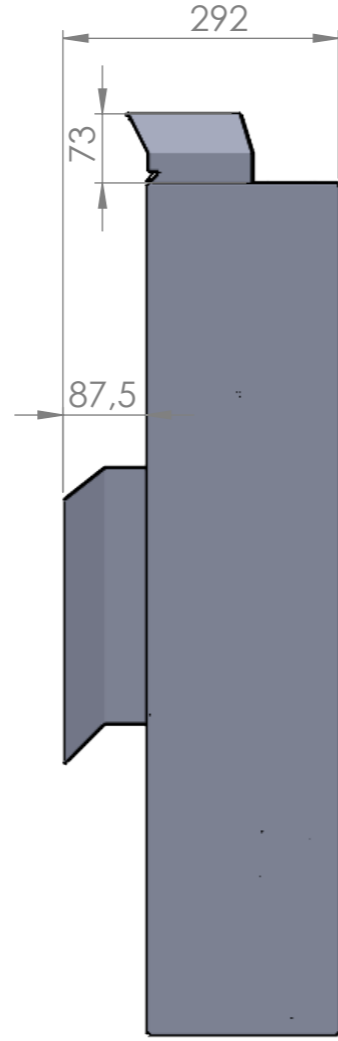
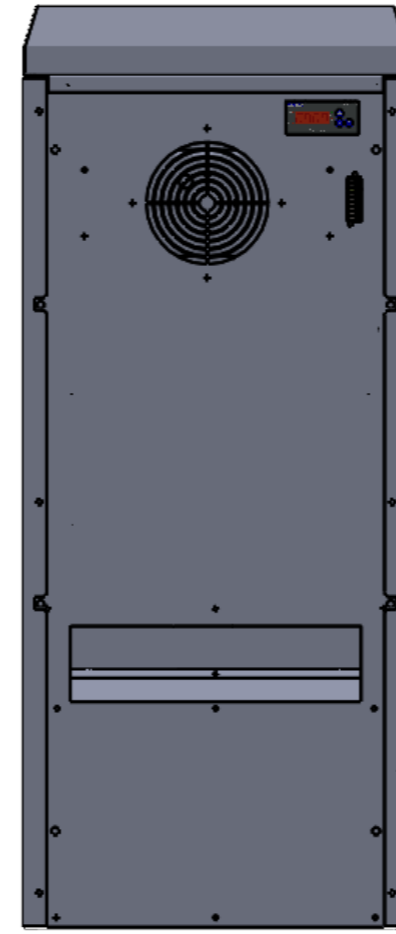


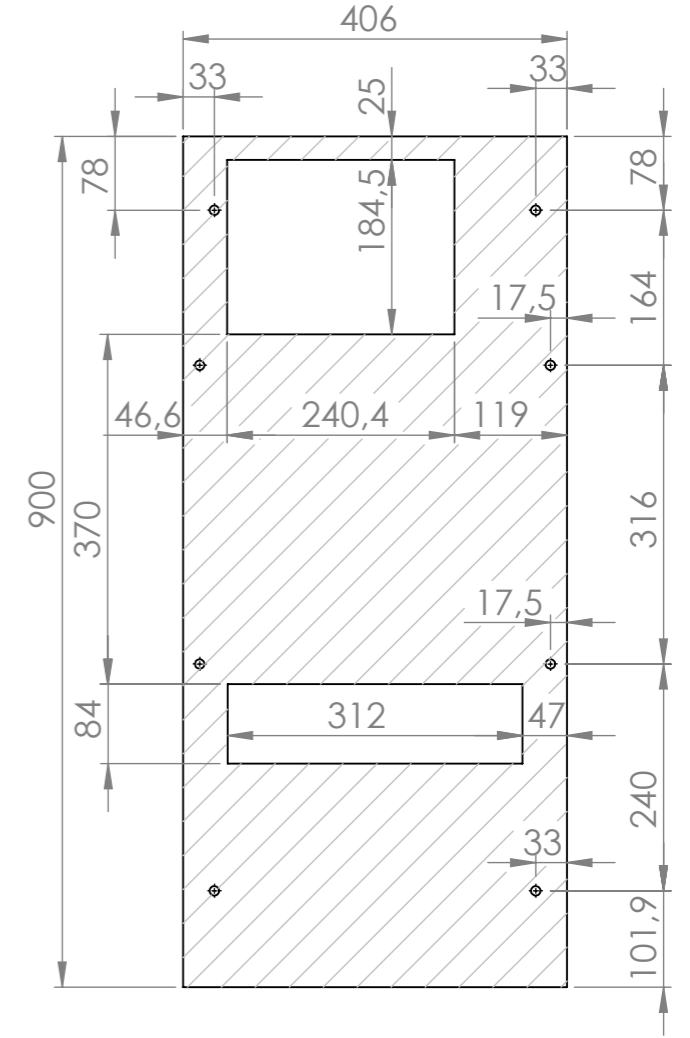
ÖN GÖRÜNÜŞ
FRONT VIEW



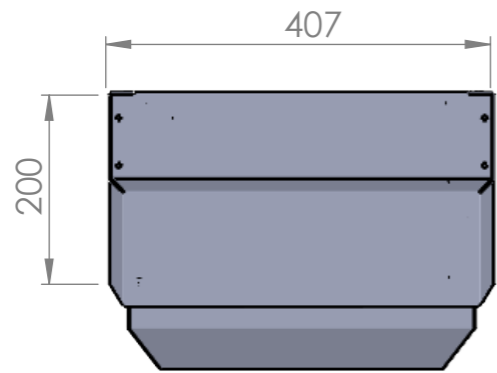
YAN GÖRÜNÜŞ
SIDE VIEW



ARKA GÖRÜNÜŞ
BACK VIEW



KESİM ŞABLONU
CUTTING TEMPLATE



ÜST GÖRÜNÜŞ
TOP VIEW

GENERAL TOLERANCE	
0 - 30	± 0,0
30 - 120	± 0,1
120 - 315	± 0,2
315 - 1000	± 0,3
1000 - 2000	± 0,4
2000 - 4000	± 0,5
4000 - 8000	± 0,6
8000 - 12000	± 0,8

THIS PRINT IS OWNED BY KLIMEXS. IT'S CONTENTS MUST NOT BE COPIED OR DISCLOSED TO OUTSIDERS. DIMENSIONS ARE INDICATED AS MILLIMETRES

SCALE

DRAWN BY CONTROL APPROVAL DATE

EMİNE SEZER

MATERIAL

MATERIAL THICKNESS

PART/ASSEMBLY NAME

BT-01700-OD-TT-G-EMRWALKHP-R134A-25-R0000



DRAWING DESCRIPTION

BT1700TT