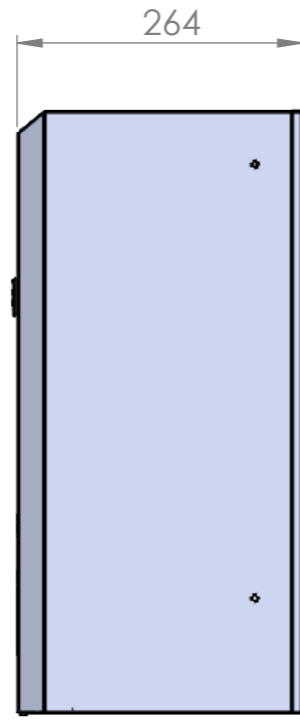
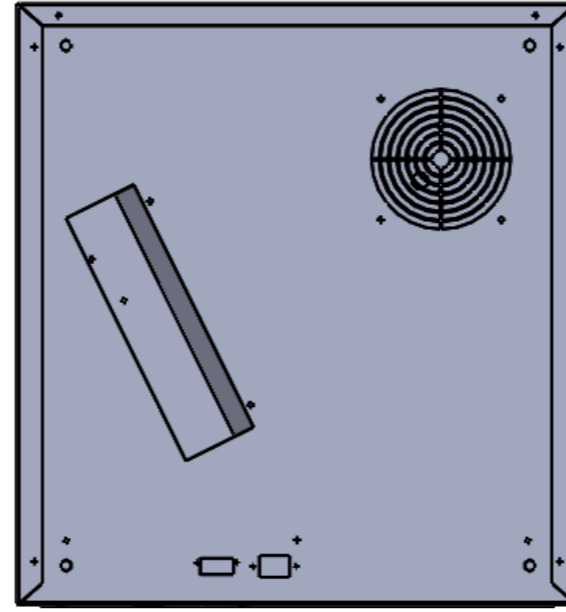


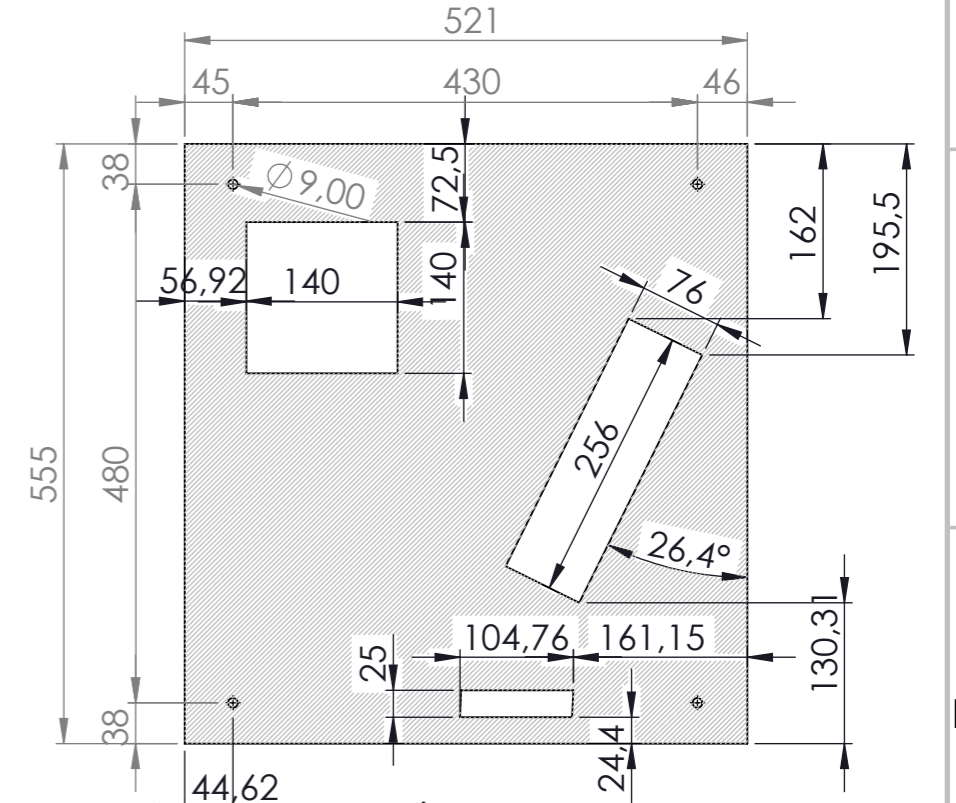
ÖN GÖRÜNÜŞ  
FRONT VIEW



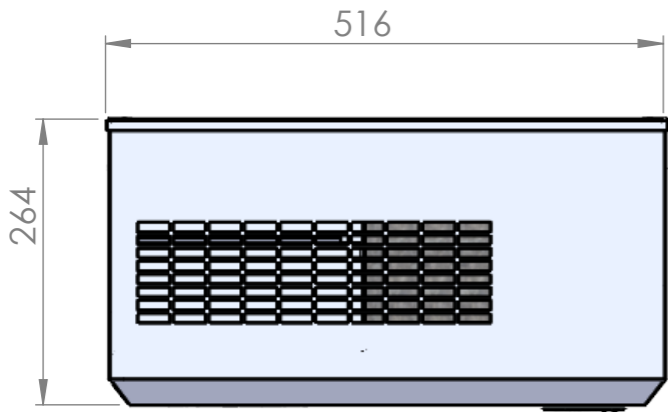
YAN GÖRÜNÜŞ  
SIDE VIEW



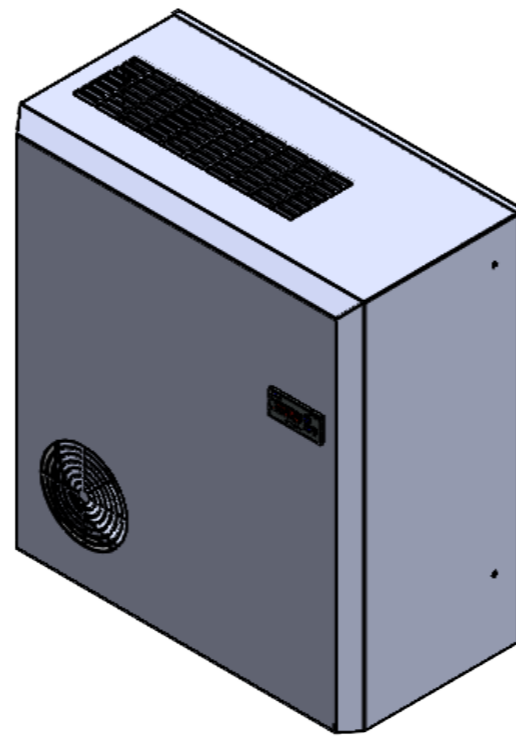
ARKA GÖRÜNÜŞ  
BACK VIEW



KESİM ŞABLONU  
CUTTING TEMPLATE



ÜST GÖRÜNÜŞ  
TOP VIEW



GENERAL TOLERANCE	
0 - 30	± 0,0
30 - 120	± 0,1
120 - 315	± 0,15
315 - 1000	± 0,2
1000 - 2000	± 0,3
2000 - 4000	± 0,4
4000 - 8000	± 0,5
8000 - 12000	± 0,6

THIS PRINT IS OWNED BY KLIMEXS. IT'S CONTENTS MUST NOT BE COPIED OR DISCLOSED TO OUTSIDERS. DIMENSIONS ARE INDICATED AS MILLIMETRES

SCALE

DRAWN BY: EMİNE SEZER CONTROL: APPROVAL: DATE:

MATERIAL: MATERIAL THICKNESS:

PART/ASSEMBLY NAME: BT-01700-ID-H-G-EMHP-R134A-25-R0000



DRAWING DESCRIPTION: BT1700-YATAY