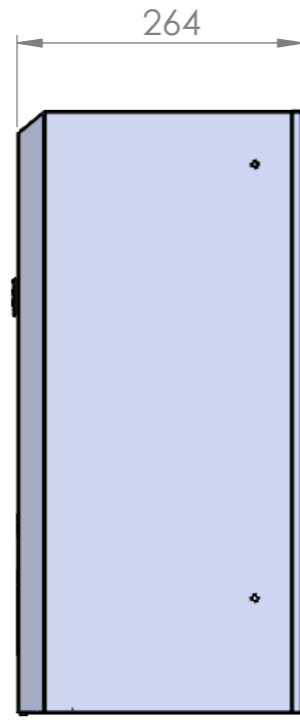
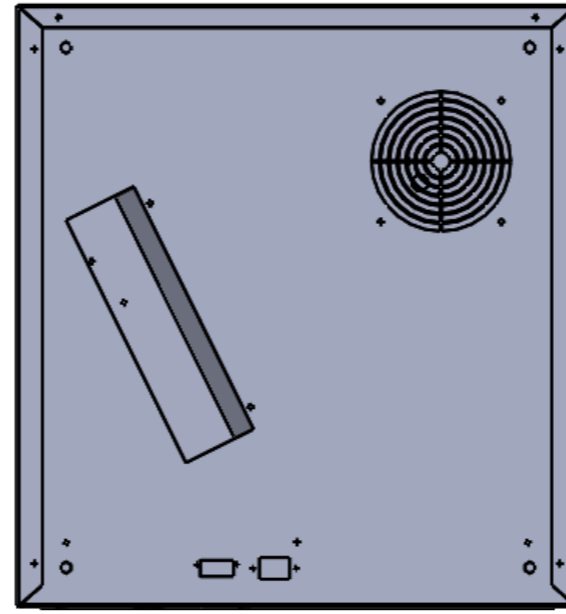


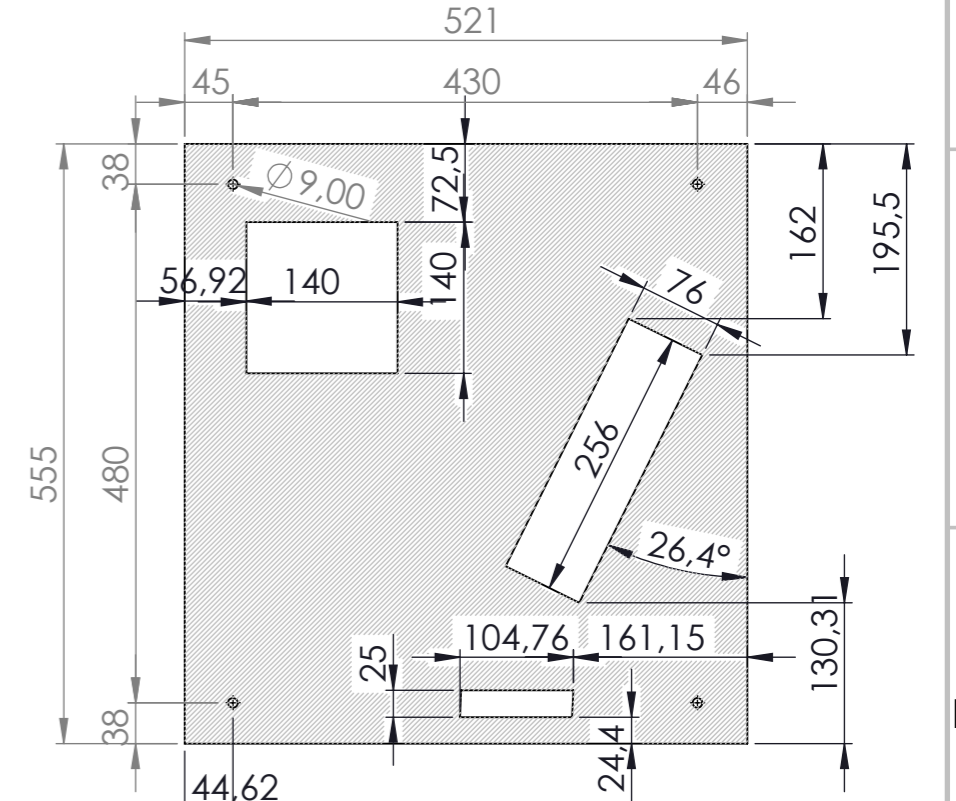
ÖN GÖRÜNÜŞ
FRONT VIEW



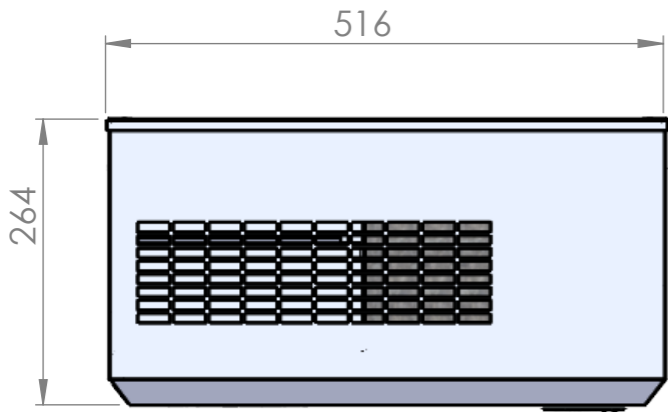
YAN GÖRÜNÜŞ
SIDE VIEW



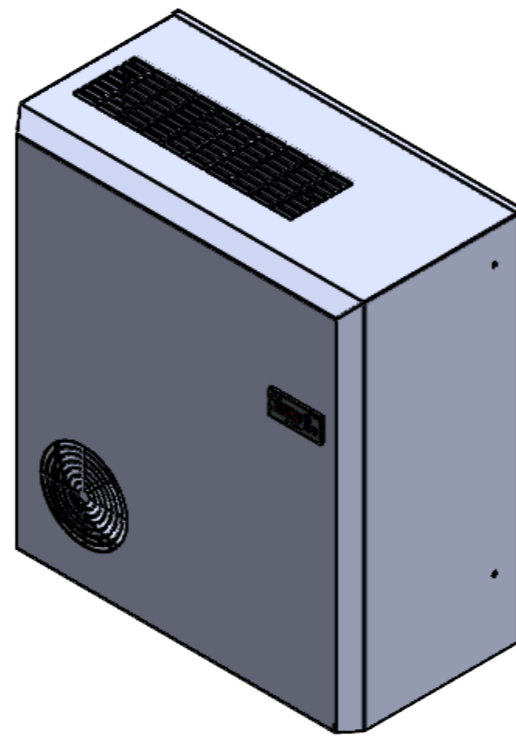
ARKA GÖRÜNÜŞ
BACK VIEW



KESİM ŞABLONU
CUTTING TEMPLATE



ÜST GÖRÜNÜŞ
TOP VIEW



GENERAL TOLERANCE	
0 - 30	± 0.0
30 - 120	± 0.15
120 - 315	± 0.2
315 - 1000	± 0.3
1000 - 2000	± 0.4
2000 - 4000	± 0.5
4000 - 8000	± 0.6
8000 - 12000	± 0.8

THIS PRINT IS OWNED BY KLIMEXS. IT'S CONTENTS MUST NOT BE COPIED OR DISCLOSED TO OUTSIDERS. DIMENSIONS ARE INDICATED AS MILLIMETRES

SCALE

DRAWN BY EMİNE SEZER CONTROL APPROVAL DATE

MATERIAL MATERIAL THICKNESS

PART/ASSEMBLY NAME BT-01500-ID-H-G-EMHP-R134A-25-R0000



DRAWING DESCRIPTION BT1500-YATAY