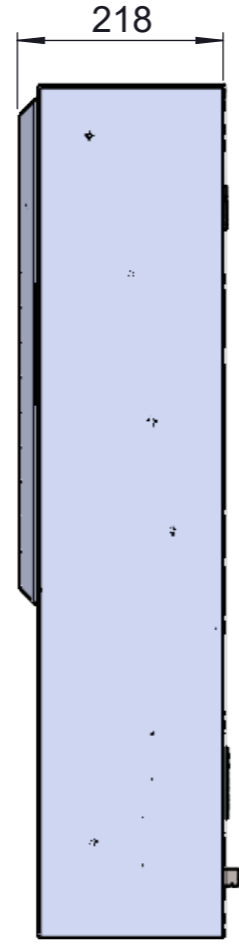
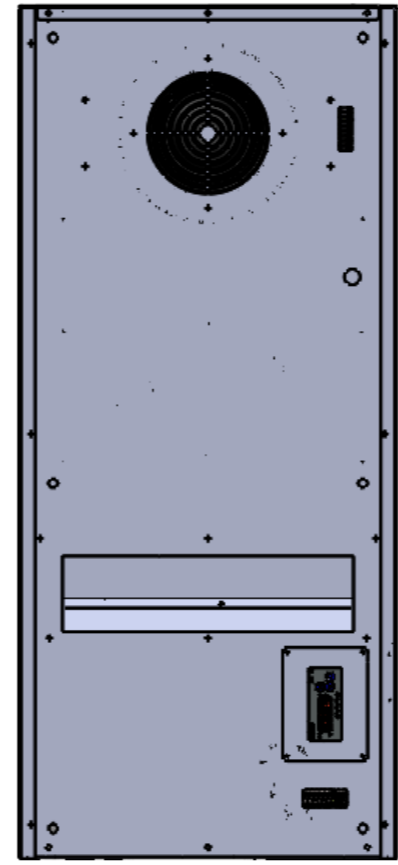


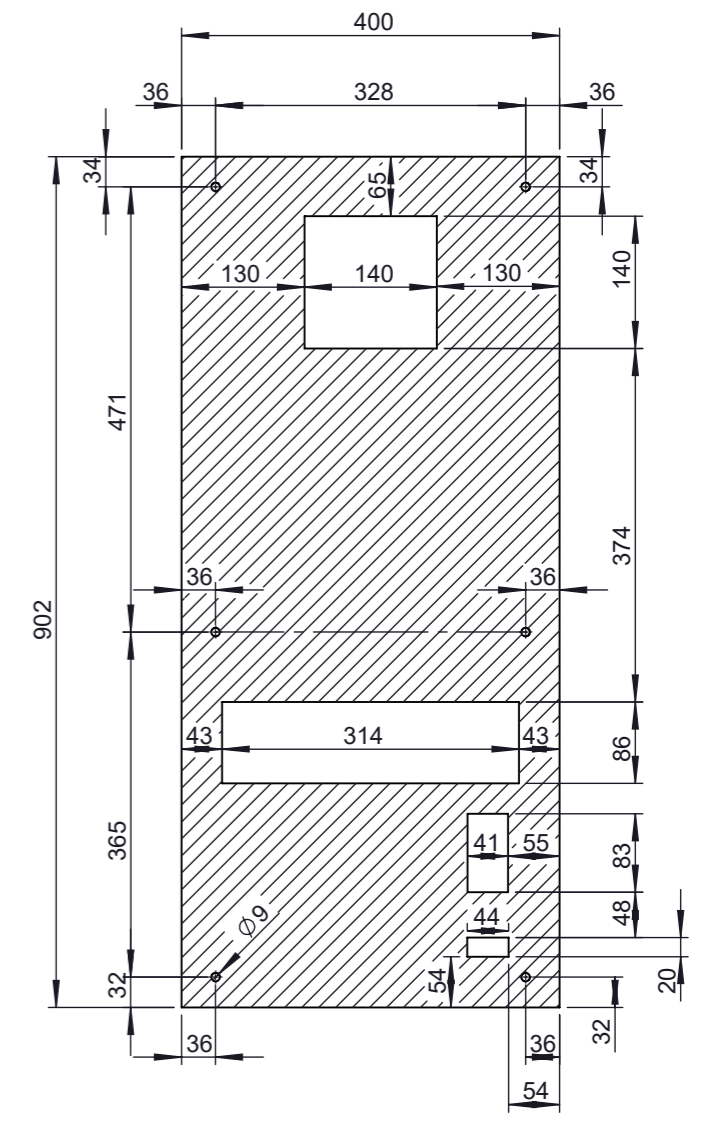
ÖN GÖRÜNÜŞ  
FRONT VIEW



YAN GÖRÜNÜŞ  
SIDE VIEW



ARKA GÖRÜNÜŞ  
BACK VIEW



KESİM ŞABLONU  
CUTTING TEMPLATE



ÜST GÖRÜNÜŞ  
TOP VIEW

GENERAL TOLERANCE	
0 - 30	± 0.10
30 - 120	± 0.15
120 - 315	± 0.20
315 - 1000	± 0.30
1000 - 2000	± 0.40
2000 - 4000	± 0.50
4000 - 8000	± 0.60
8000 - 12000	± 0.80

THIS PRINT IS OWNED BY KLIMEXS. IT'S CONTENTS MUST NOT BE COPIED OR DISCLOSED TO OUTSIDERS. DIMENSIONS ARE INDICATED AS MILLIMETRES

SCALE  
1:10

DRAWN BY	REVISION NUMBER	DATE
SELİN SEVİM	0	14.11.2024

MATERIAL	MATERIAL THICKNESS



PART/ASSEMBLY NAME	DRAWING DESCRIPTION
BT-01000-OD-G-EMHP-R134A-25-R0000	BT1000-OUTDOOR