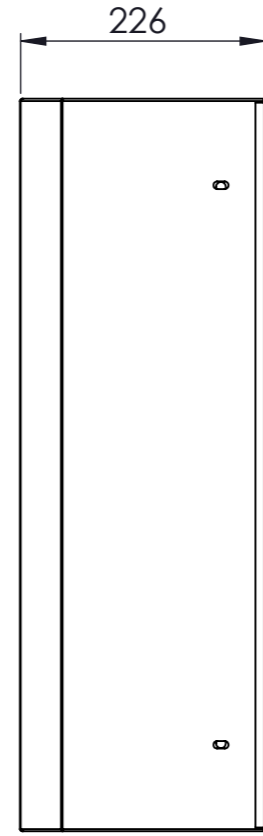
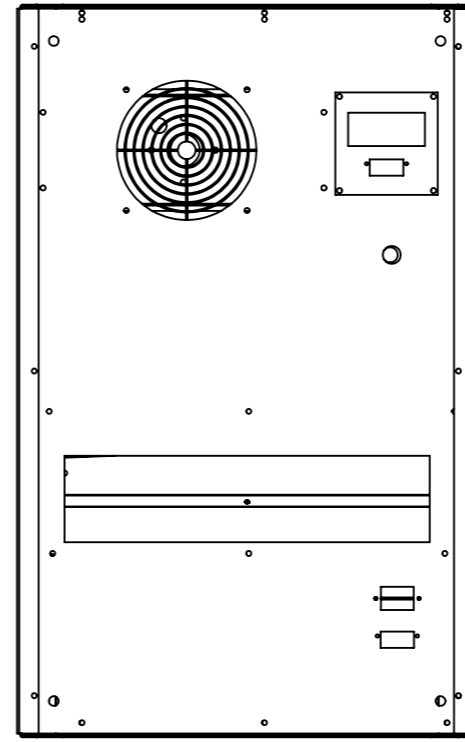


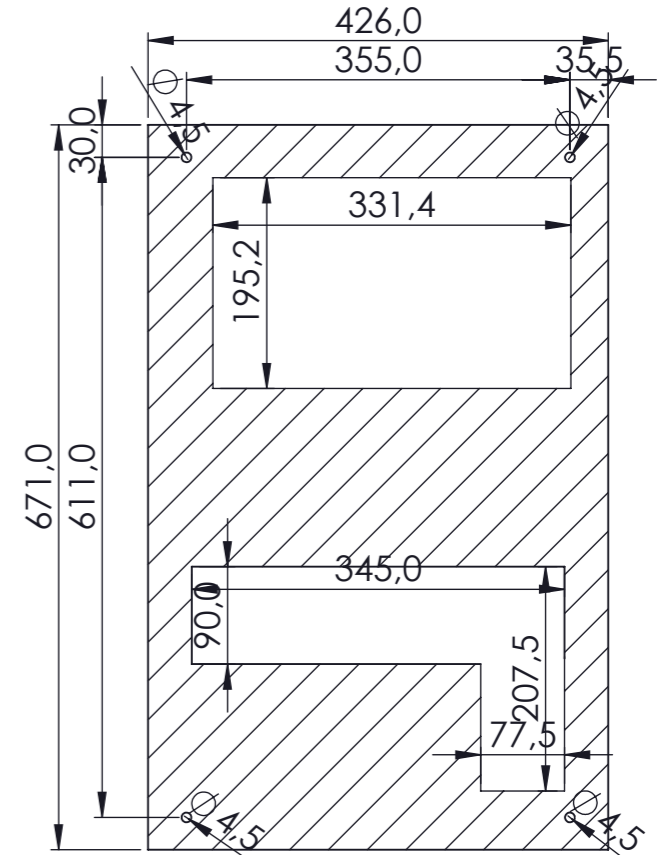
ÖN GÖRÜNÜŞ



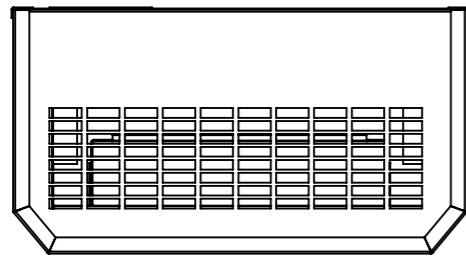
YAN GÖRÜNÜŞ



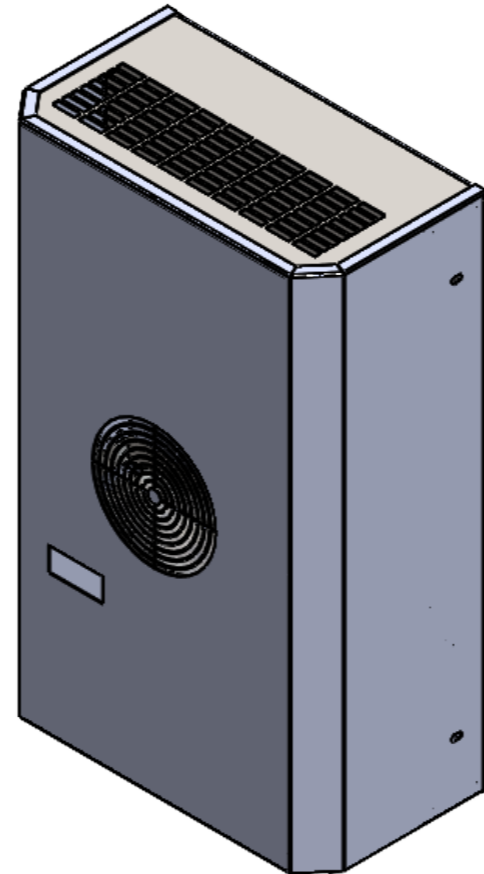
ARKA GÖRÜNÜŞ



KESİM ŞABLONU



ÜST GÖRÜNÜŞ



GENERAL TOLERANCE	
0 - 30	± 0,0
30 - 120	± 0,1
120 - 315	± 0,2
315 - 1000	± 0,3
1000 - 2000	± 0,4
2000 - 4000	± 0,5
4000 - 8000	± 0,6
8000 - 12000	± 0,8

THIS PRINT IS OWNED BY KLIMEXS. IT'S CONTENTS MUST NOT BE COPIED OR DISCLOSED TO OUTSIDERS. DIMENSIONS ARE INDICATED AS MILLIMETRES

DRAWN BY EMİNE SEZER CONTROL APPROVAL DATE

MATERIAL MATERIAL THICKNESS

PART/ASSEMBLY NAME DRAWING DESCRIPTION

BT-01000-ID-M-G-EMHP-R134A-25-R0000 BT1000-MIDI

SCALE



A