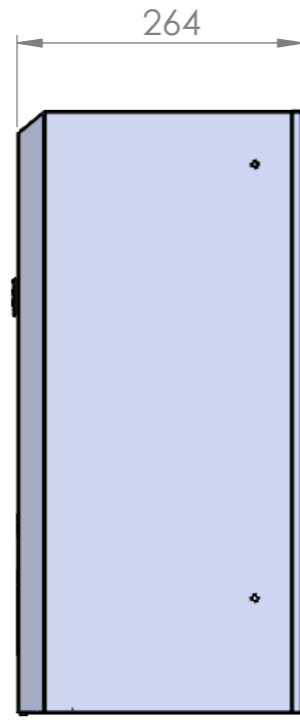
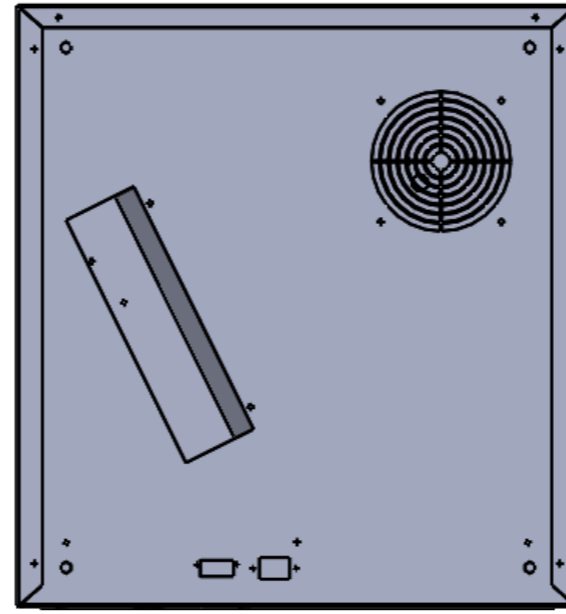


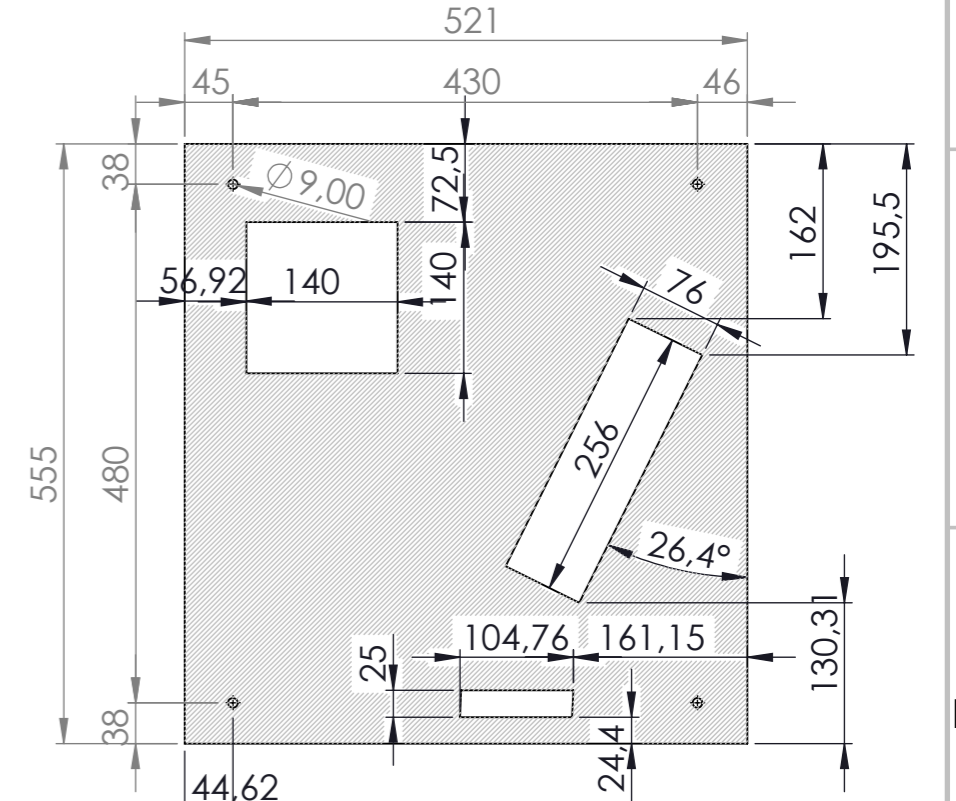
ÖN GÖRÜNÜŞ  
FRONT VIEW



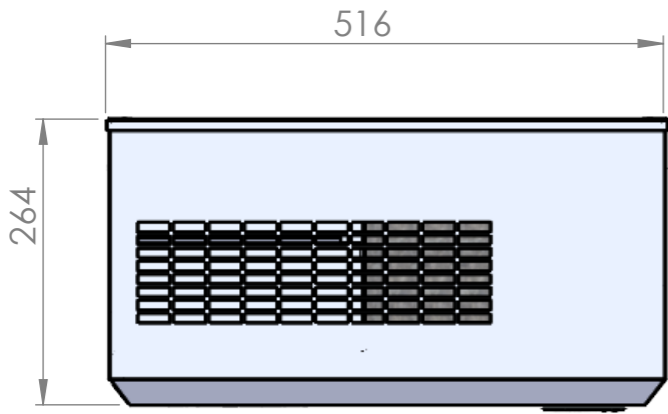
YAN GÖRÜNÜŞ  
SIDE VIEW



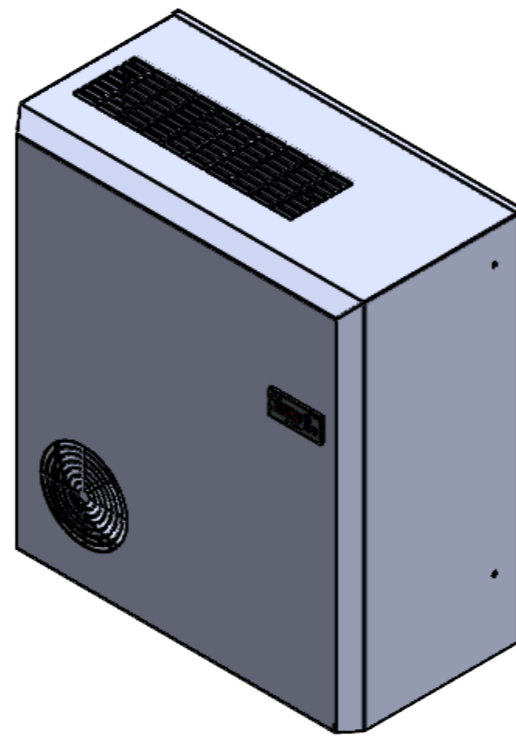
ARKA GÖRÜNÜŞ  
BACK VIEW



KESİM ŞABLONU  
CUTTING TEMPLATE



ÜST GÖRÜNÜŞ  
TOP VIEW



GENERAL TOLERANCE	
0 - 30	± 0,0
30 - 120	± 0,1
120 - 315	± 0,2
315 - 1000	± 0,3
1000 - 2000	± 0,4
2000 - 4000	± 0,5
4000 - 8000	± 0,6
8000 - 12000	± 0,8

THIS PRINT IS OWNED BY KLIMEXS. IT'S CONTENTS MUST NOT BE COPIED OR DISCLOSED TO OUTSIDERS. DIMENSIONS ARE INDICATED AS MILLIMETRES

SCALE

DRAWN BY CONTROL APPROVAL DATE

EMİNE SEZER

MATERIAL

MATERIAL THICKNESS

PART/ASSEMBLY NAME

BT-01000-ID-H-G-EMHP-R134A-25-R0000

**klimexs**  
Industrial Cooling Systems

DRAWING DESCRIPTION

BT1000-YATAY