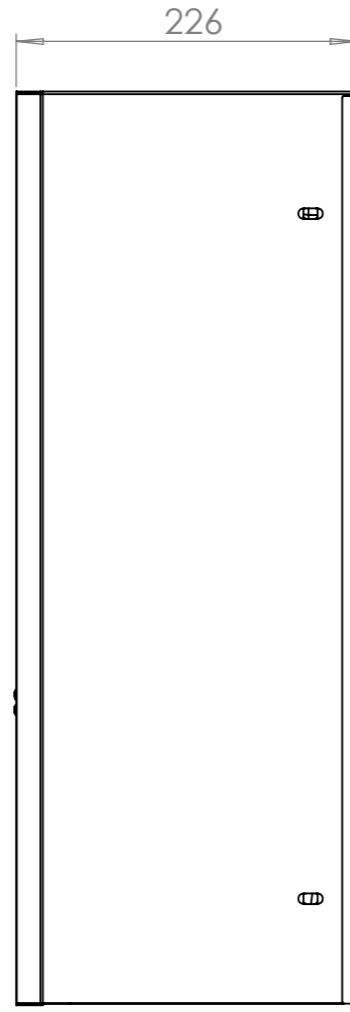
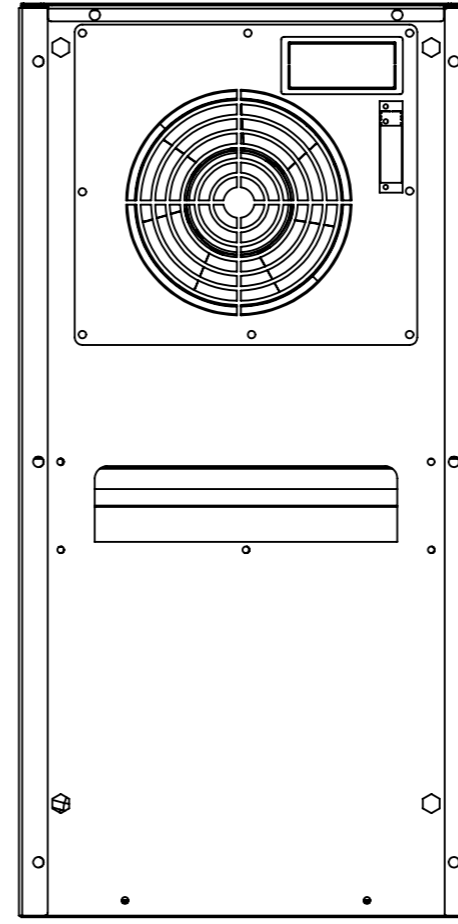


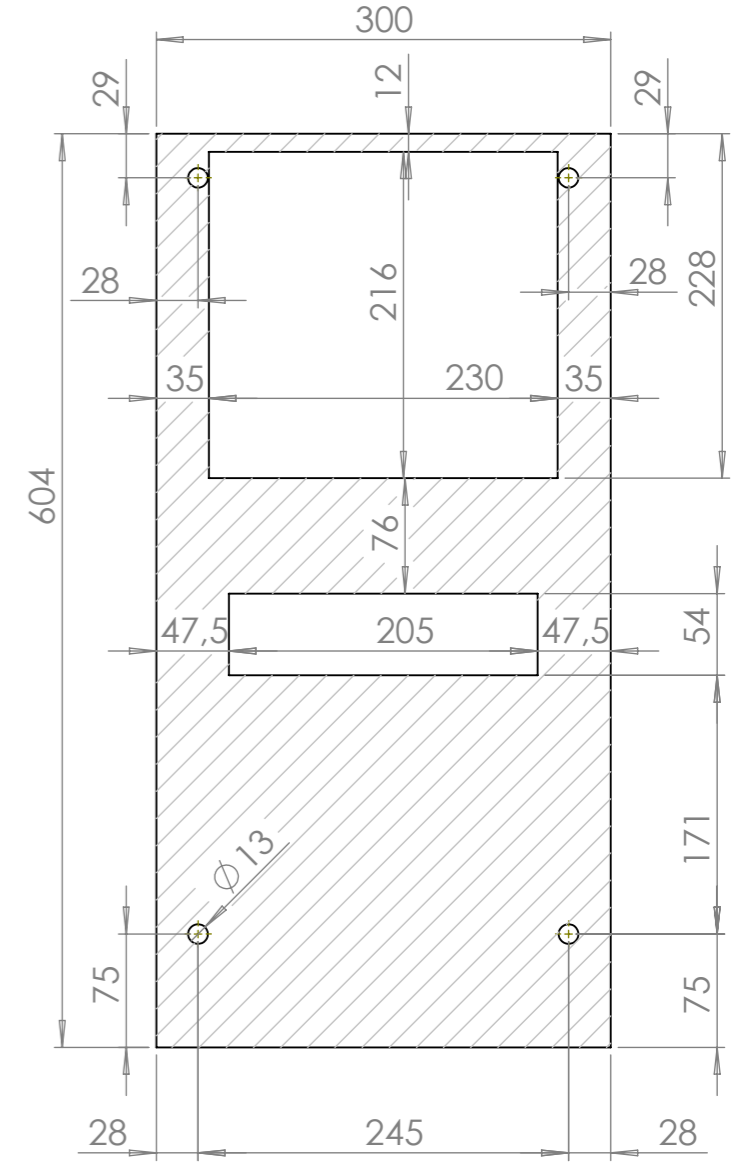
ÖN GÖRÜNÜŞ
FRONT VIEW



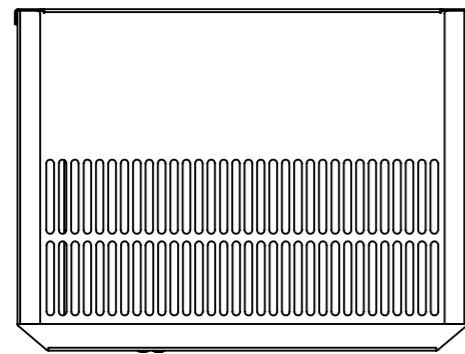
YAN GÖRÜNÜŞ
SIDE VIEW



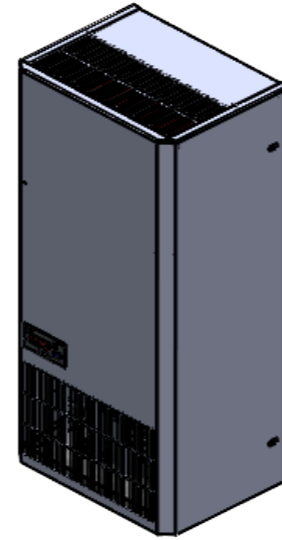
ARKA GÖRÜNÜŞ
BACK VIEW



KESİM ŞABLONU
CUTTING TEMPLATE



ÜST GÖRÜNÜŞ
TOP VIEW



GENERAL TOLERANCE	
0 - 30	± 0,0
30 - 120	± 0,1
120 - 315	± 0,2
315 - 1000	± 0,3
1000 - 2000	± 0,4
2000 - 4000	± 0,5
4000 - 8000	± 0,6
8000 - 12000	± 0,8

THIS PRINT IS OWNED BY KLIMEXS. IT'S CONTENTS MUST NOT BE COPIED OR DISCLOSED TO OUTSIDERS. DIMENSIONS ARE INDICATED AS MILLIMETRES		
DRAWN BY	CONTROL	DATE
SELİN SEVİM		2.07.2024
MATERIAL		MATERIAL THICKNESS
PART/ASSEMBLY NAME		DRAWING DESCRIPTION
BTK500-INDOOR TEKNİK		

SCALE
1:10

